

One-phase switching power supply  
regulated, 240 W



<b>Identification</b>	Type	DRA 240-48B
	Part-No.	722778

**Input**

Nominal voltage	AC 115 / 230 V (auto select)
Operation voltage range	AC 93–132 V, AC 186–264 V, DC 210–370 V
Line frequency	47 Hz – 63 Hz
Rated current	$U_i = AC 115 V: 2.4 A / U_i = AC 230 V: 1.2 A$
Inrush current	$U_i = AC 115 V: 30 A / U_i = AC 230 V: 60 A$
Internal fuse	T6, 3 A / AC 250 V
External fuse	Mini-circuit breaker: B 10 A, C 6 A
Power Factor Correction P.F.C.	0.7

**Load Side**

Rated voltage output	DC 48 V
Rated current output	5 A
Low power loss	32 W (AC 230 V)
Voltage trim range	47/56 V
Accuracy	$\pm 1 \%$
Line regulation	$\pm 0.5 \%$
Load regulation	Single $\pm 1 \%$ , Parallel $\pm 5 \%$
Rise time	1 s
Temperature coefficient	$\pm 0.03 \%$ / °C

08.11.2013 – Subject to technical modification

Part-No. 722778

USA: LUTZE INC.

13330 South Ridge Drive • Charlotte, NC 28273, USA  
Tel. +1 (704) 504-0222 • Fax +1 (704) 504-0223  
www.lutze.com • info@lutze.com

United Kingdom: LÜTZE Ltd.

Unit 3, Sandy Hill Park  
Sandy Way, Amington • GB-Tamworth, Staffs B77 4DU  
Tel. +44 (0)1827 31333-0 • Fax +44 (0)1827 31333-2  
www.lutze.com • sales.gb@lutze.co.uk



SYSTEMATIC TECHNOLOGY

## Technical data sheet • Power supply

---

Ripple & Noise	100 mV
Hold up time	$V_{in}= 115\text{ V}$ : 25 ms / $V_{in}= 230\text{ V}$ : 30 ms
Status indication DC ON LED green	$\geq 37\text{--}43\text{ V}$
Status indication DC LOW LED red	$\leq 37\text{--}43\text{ V}$
Parallel/redundant operation	max 3 devices with 90 % load current each, switching with switch S/P
Efficiency	90 %
Rated over load protection	105–145 %
Over voltage protection	120–145 %
Short circuit characteristics	Current limit

---

### General

---

Switching frequency	approx. 40 kHz
Insulation voltage input/output	3.0 kV <sub>eff</sub>
Insulation voltage input / ground	AC 1.5 kV <sub>eff</sub>
Insulation resistance at DC 500 V	100 M $\Omega$
Operation temperature range	-25 °C – 70 °C (derating)
Derating	-2.5% / °C starting at 60 °C
Storage temperature range	-25 °C – 85 °C
M.T.B.F.	437000 h
Relative humidity	20–90% RH, non-condensing
Dimensions (w × h × d)	83.0 × 142.0 × 116.0 mm
Cooling	Natural air cooling, 25 mm distance on all sides
Installation position	vertical
Housing material	metal
Protection class	IP 20
Field installation	rail TS 35 (EN 50022)
Application height	2000 m
IP rating	I (SELV, PELV)
Overvoltage category	II
Pollution degree	2
Weight (kg/piece)	1.000
Termination	Screw terminal: 0.2–2.5 mm <sup>2</sup> - pluggable, max. 0.56 Nm
Approvals	UL: UL 508 listed; cUL: UL 60950-1; TÜV: EN 60950, CE: EN 61000-6-3, EN 55022 Class B, EN 61000-3-2, EN 61000-3-3, EN 61000-6-2, EN 55024

08.11.2013 – Subject to technical modification

Part-No. 722778

USA: LUTZE INC.

13330 South Ridge Drive • Charlotte, NC 28273, USA  
Tel. +1 (704) 504-0222 • Fax +1 (704) 504-0223  
www.lutze.com • info@lutze.com

United Kingdom: LÜTZE Ltd.

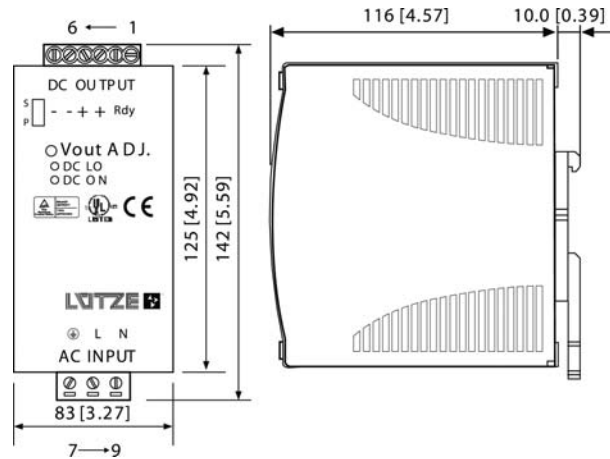
Unit 3, Sandy Hill Park  
Sandy Way, Amington • GB-Tamworth, Staffs B77 4DU  
Tel. +44 (0)1827 31333-0 • Fax +44 (0)1827 31333-2  
www.lutze.com • sales.gb@lutze.co.uk



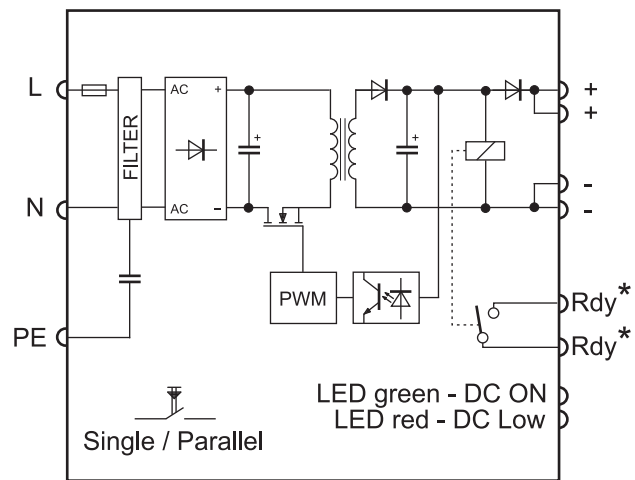
SYSTEMATIC TECHNOLOGY

# Technical data sheet • Power supply

## Dimensions



## PIN assignment



\* for 24V version only

08.11.2013 – Subject to technical modification

Part-No. 722778

USA: LUTZE INC.

13330 South Ridge Drive • Charlotte, NC 28273, USA

Tel. +1 (704) 504-0222 • Fax +1 (704) 504-0223

www.lutze.com • info@lutze.com

United Kingdom: LÜTZE Ltd.

Unit 3, Sandy Hill Park

Sandy Way, Amington • GB-Tamworth, Staffs B77 4DU

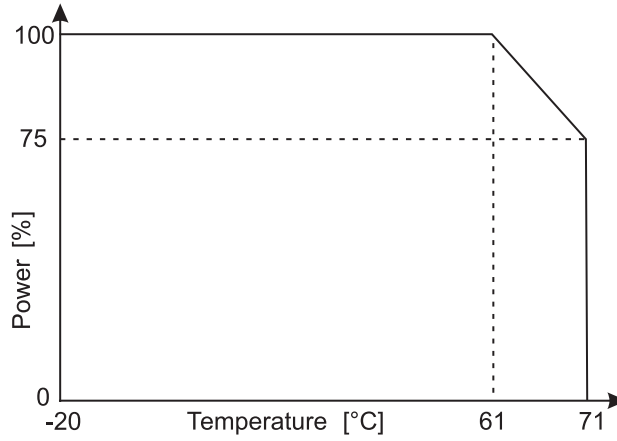
Tel. +44 (0)1827 31333-0 • Fax +44 (0)1827 31333-2

www.lutze.com • sales.gb@lutze.co.uk

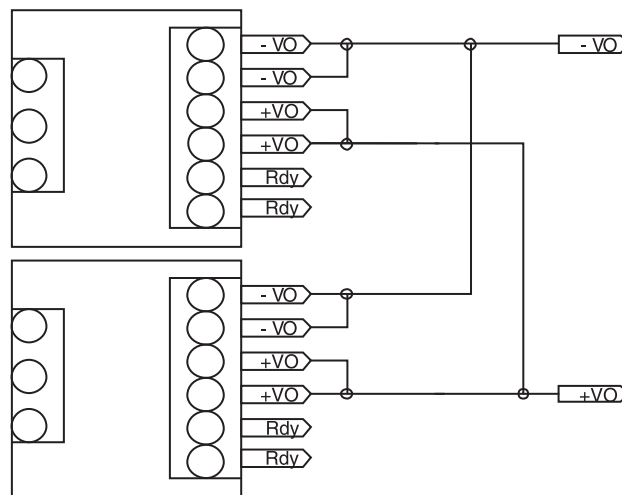


SYSTEMATIC TECHNOLOGY

Derating



Parallel/redundant mode



08.11.2013 – Subject to technical modification

Part-No. 722778

USA: LUTZE INC.

13330 South Ridge Drive • Charlotte, NC 28273, USA  
Tel. +1 (704) 504-0222 • Fax +1 (704) 504-0223  
www.lutze.com • info@lutze.com

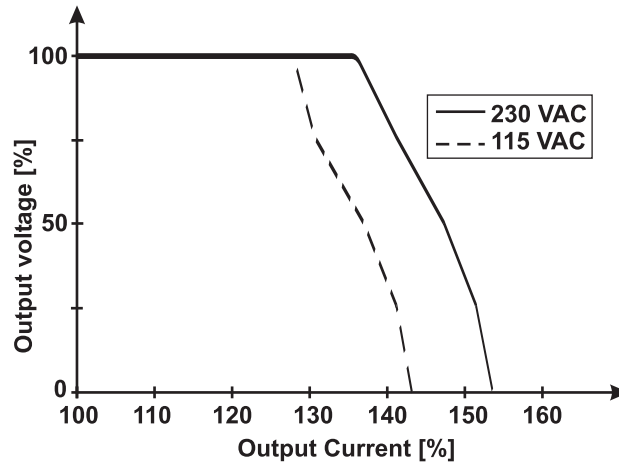
United Kingdom: LÜTZE Ltd.

Unit 3, Sandy Hill Park  
Sandy Way, Amington • GB-Tamworth, Staffs B77 4DU  
Tel. +44 (0)1827 31333-0 • Fax +44 (0)1827 31333-2  
www.lutze.com • sales.gb@lutze.co.uk



SYSTEMATIC TECHNOLOGY

Short circuit characteristics



08.11.2013 – Subject to technical modification

Part-No. 722778

USA: LUTZE INC.

13330 South Ridge Drive • Charlotte, NC 28273, USA

Tel. +1 (704) 504-0222 • Fax +1 (704) 504-0223

www.lutze.com • info@lutze.com

United Kingdom: LÜTZE Ltd.

Unit 3, Sandy Hill Park

Sandy Way, Amington • GB-Tamworth, Staffs B77 4DU

Tel. +44 (0)1827 31333-0 • Fax +44 (0)1827 31333-2

www.lutze.com • sales.gb@lutze.co.uk



SYSTEMATIC TECHNOLOGY